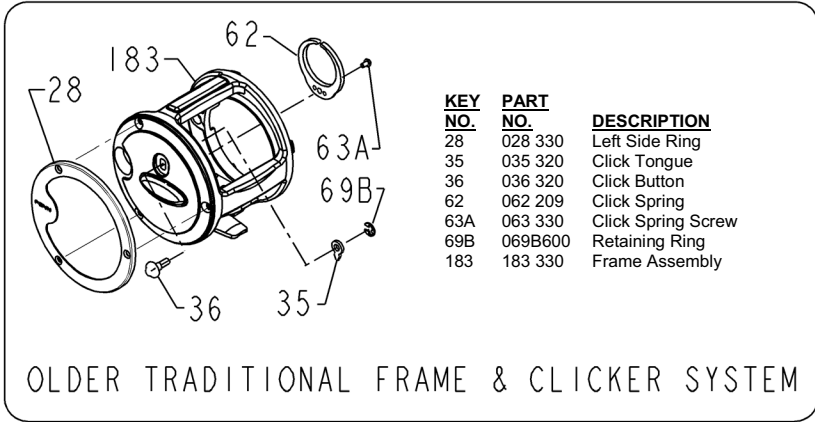


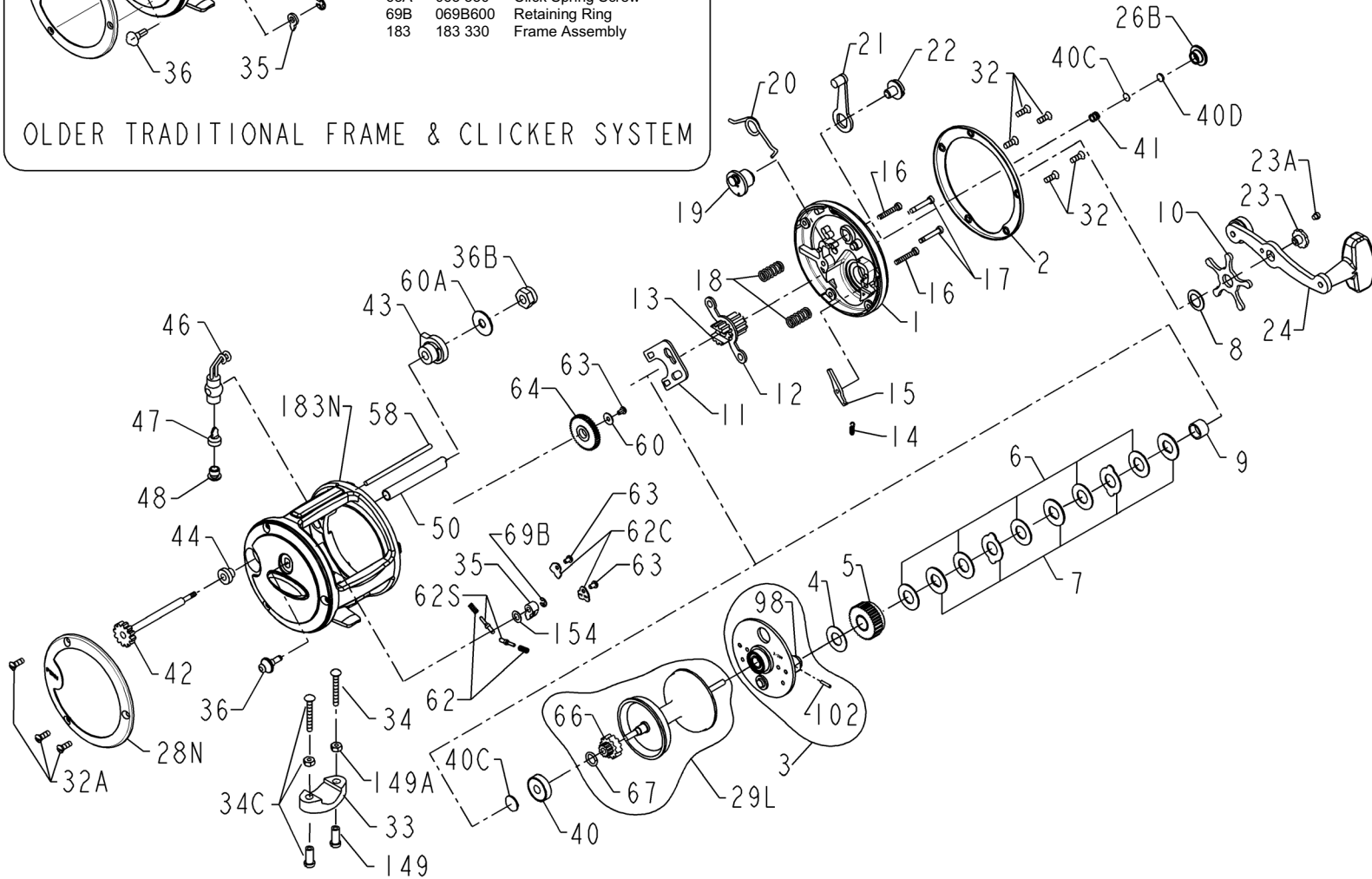


PARTS LIST FOR MODEL 330GTi



KEY NO.	PART NO.	DESCRIPTION
28	028 330	Left Side Ring
35	035 320	Click Tongue
36	036 320	Click Button
62	062 209	Click Spring
63A	063 330	Click Spring Screw
69B	069B600	Retaining Ring
183	183 330	Frame Assembly

OLDER TRADITIONAL FRAME & CLICKER SYSTEM



NEW ERGONOMIC FRAME AND PLUNGER CLICKER SYSTEM
NOTE: NOT ALL PARTS AT THE SAME SCALE

KEY NO.	PART NO.	DESCRIPTION
1	001 330	Right Side Plate
2	002 330	Side Ring
3	003 330	Bridge Assembly
4	004 349	Fiber Washer
5	005N320	Main Gear
6	006 320	Friction Drag Washer (5 req.)
7	007C970	Metal Drag Washer (Set of 5)
8	008 349	Tension Spring
9	009 320	Spacing Sleeve
10	010 349	Star Drag
11	011 330	Eccentric Jack
12	012 060	Pinion Yoke
13	013N330	Pinion Gear
14	014 330	Dog Spring
15	015 330	Dog
16	016 113H	Lower Bridge Screw (2 req.)
17	017 113H	Upper Bridge Screw (2 req.)
18	018 060	Clutch Spring (2 req.)
19	019 330	Eccentric Cam
20	020 155	Eccentric Spring
21	021 309	Eccentric Lever Assembly
22	022 060CH	Eccentric Screw
23	023 114	Handle Assembly Screw
23A	110 060	Handle Lock Screw
24	024 225	Handle Assembly
26B	026B330	Spool Tension Control Cap
28N	028N330	Left Side Ring
29L	029L330	Spool Assembly
32	032 017	R.S. Plate Screw (5 req.)
32A	032 310	L.S. Ring Screw (3 req.)
33	033 113	Rod Clamp
*	*033R 200	*Ringed Rod Clamp (Optional)
34	034 045	Clamp Screw Only
34C	034C045	Clamp Screw w/Nuts
35	035 310N	Click Tongue
36	036 330	Click Button
36B	036 700	Worm Shaft Nut
40	040 320	Ball Bearing
40C	040C 320	Metal Thrust Washer (2 req.)
40D	040D 320	Rubber Thrust Washer
41	041 330	Right Side Thrust Spring
42	042 330N	Worm Assembly
43	043 330	Right Side Worm Bearing
44	044 330	Left Side Worm Bearing
46	046 330N	Line Guide Carriage
47	047 975	Pawl
48	048 330N	Pawl Cover Screw
50	050T330	Worm Shield
58	058 330	Line Guide Post
60	060 320	Idler Gear Washer
60A	060 320	Worm Gear Washer
62	062A310	Click Spring (2 req.)
62C	062C321LH	Click Spring Cover (2 req.)
62S	062S310	Click Pin (2 req.)
63	063 500S	Idler Gear Screw (3 req.)
64	064 330	Idler Gear
66	066 320	Spool Gear Click Ratchet
67	067 009	Spool Gear Lock Ring
69B	069B600	Click Button Retaining Ring
98	098 320	Gear Sleeve w/Pin
149	149 045	Clamp Nut
149A	149 200	Hex Nut
154	154 117	Click Button Washer
183N	183N330	Frame Assembly

*Not Shown